

FUNKTION-ONE

RESOLUTION 3

The Resolution 3 is an all in one 3-way enclosure comprising a special horn loaded 18" bass loudspeaker with 5" voice coil, a new Axhead loaded 10" loudspeaker for midrange and a 1" compression driver for high frequencies. It produces exceptional SPL for its size with very convincing bass rendering additional sub bass unnecessary. You could say it is a Resolution 2 on steroids. Horizontal version also available.



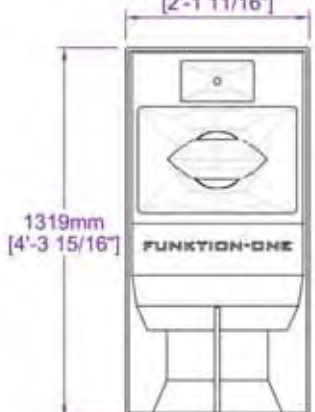
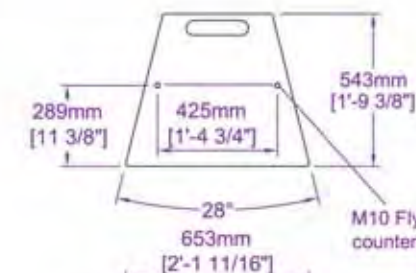
Features:

- Full range, stand alone enclosure
- Fully horn loaded
- Three-way
- Controlled dispersion
- Funktion One designed Neodymium drivers
- Optional Wheelboard
- Funktion-One Violet or Silver finishes

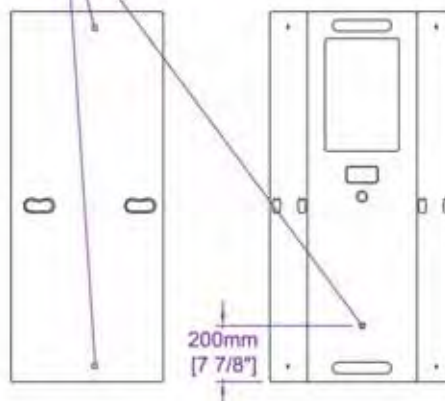
Driver	Operating Band	Sensitivity (1W at 1m)	Power (rms)	Nominal Impedance
18"	20 - 200 Hz	103 dB	500W	8 Ω
10"	175 - 5k5Hz	108 dB	200W	16 Ω
1"	5k5Hz - up	109 dB	50W	16 Ω

Please check website for latest crossover settings

Frequency Response: 45Hz - 18kHz
 Weight (without wheelboard): 76 kg (167lbs)
 Nominal Dispersion: 50° Horizontal x 25° Vertical
 Connectors: 2 x Speakon 4 Pole (NL4) for Tri-amped use:
 2 x Speakon 8 Pole (NL8) or 2 x EP6 Connectors



M10 Flypoint fitted with countersunk blanking screw.



Wheelboard as optional extra

