

FUNKTION-ONE

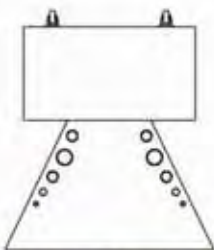
DOUBLE INFRAHORN

The Double InfraHorn is a horn extension which can be used in conjunction with a pair of Infrabass 218s for applications with extreme bass requirements. The additional loading provided by the horn significantly enhances both the efficiency and directivity of the already superb Infrabass. When bolted directly to the front of a pair of Infrabass, the horn increases the output of the pair by up to a staggering 10dB at 33Hz, thus giving a further depth and firmness to a system's low end. Double Infrahorns can be used singly or stacked above each other in multiples to produce unprecedented low-bass performance. Where space permits, the Double Infrahorn represents a very cost effective way of maximising Infrabass output, whether it be for use within the club environment or for outdoor/live arenas.

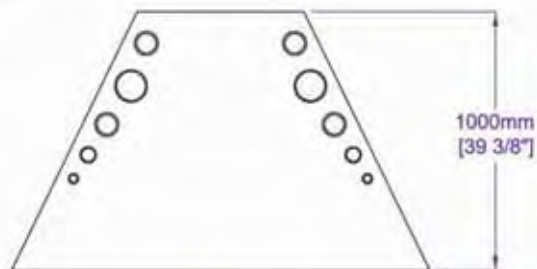


Features:

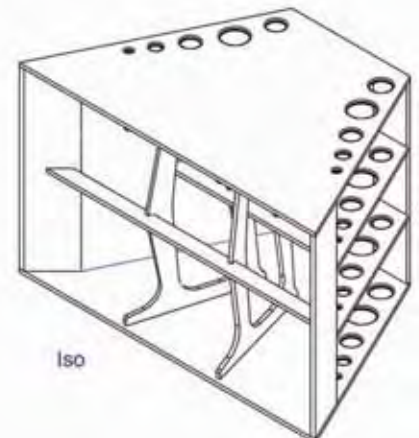
- Increases efficiency, directivity and projection of a pair of Infrabass (extra 10 dB at 33Hz)
- Imposing aesthetics
- Funktion One Violet finish



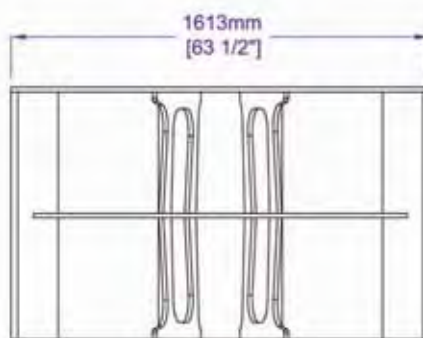
Plan with Infrabass



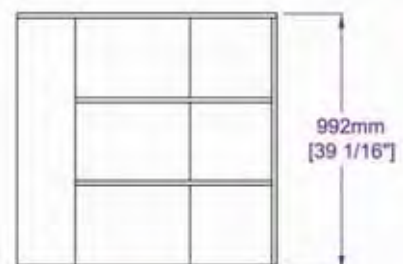
Plan



Iso



Front



Side

Note: Infrabass fitted with threaded inserts to facilitate attachment.